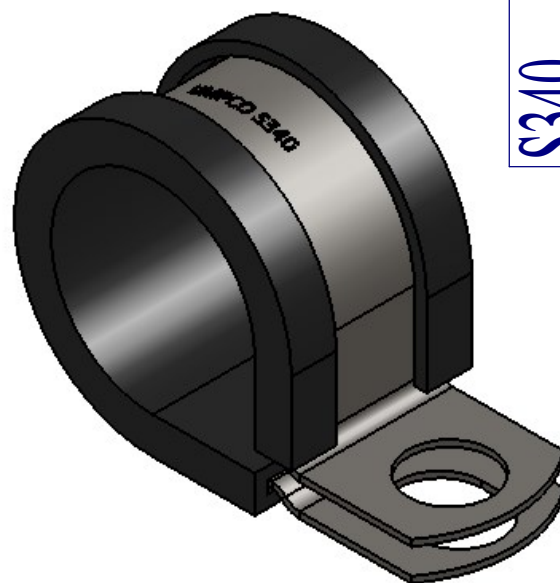


DASH NO. RANGE	"D" DIA. RANGE	"E" DIMENSION	"R" RADIUS	"T" GAUGE
-4 THRU -16	1/4" TO 1"	"D"/2 + .514	.062	.031
-17 THRU -96	1-1/16" TO 6"	"D"/2 + .534	.109	.050

MATERIAL & FINISH CODES:

METAL:	"NO CODE"	1008/1020 LOW CARBON STEEL PER ASTM A 1008, ASTM A 109, QQ-S-698
	"P"	1008/1020 LOW CARBON STEEL PER ASTM A 1008, ASTM A 109, QQ-S-698 FINISH: ZINC PLATE GOLD PER ASTM B 633, Fe/Zn 8, TY. II 1
	"D"	2024-T42 ALUMINUM ALLOY PER AMS-QQ-A-250/5 FINISH: NONE
	"SS"	304/321 STAINLESS STEEL PER AMS 5513/AMS 5510 FINISH: NONE
	"C"	316 STAINLESS STEEL PER AMS 5524 FINISH: NONE
CUSHION:	"G"	GENERAL PURPOSE EPDM PER SAE J200 M3 BA 710 C12 COLOR: BLACK
	"H"	GENERAL PURPOSE SILICONE PER AMS 3303 WITH 100 PSI MIN. TEAR COLOR: RED/ORANGE
	"N"	GENERAL PURPOSE NEOPRENE PER AMS 3209 COLOR: BLACK
	"T"	TEFLON SKIVED PER AMS 3652 COLOR: WHITE

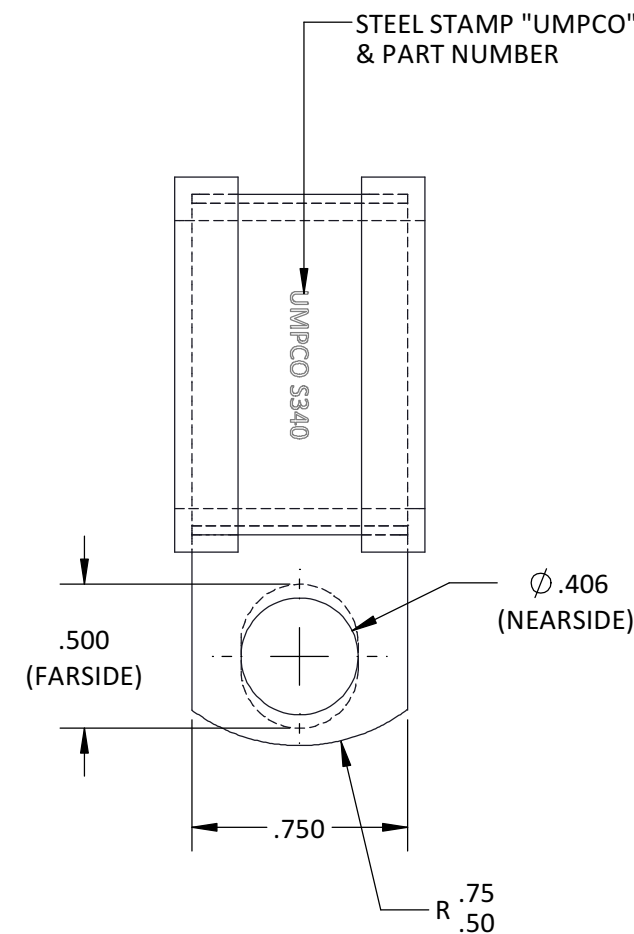
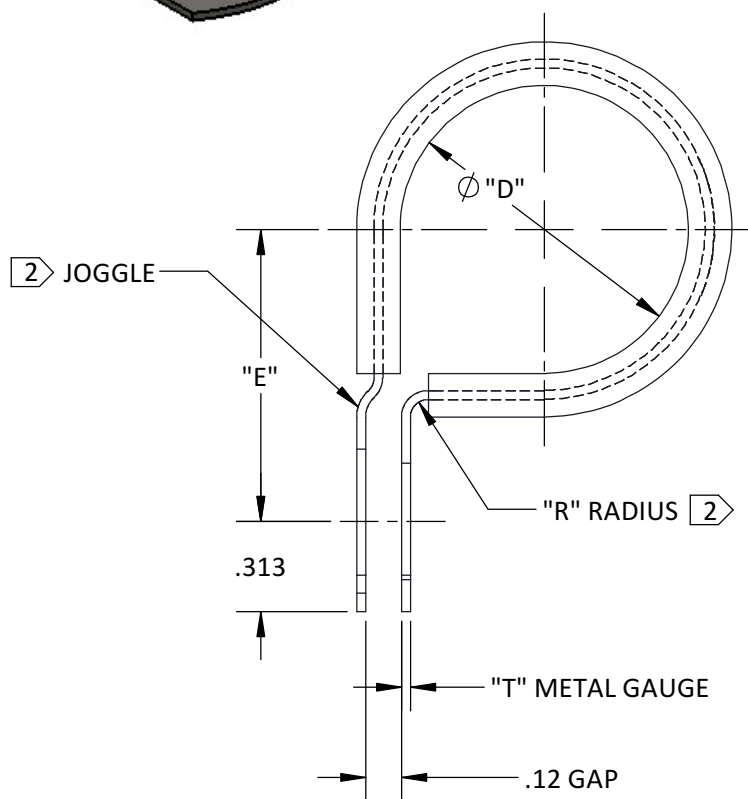
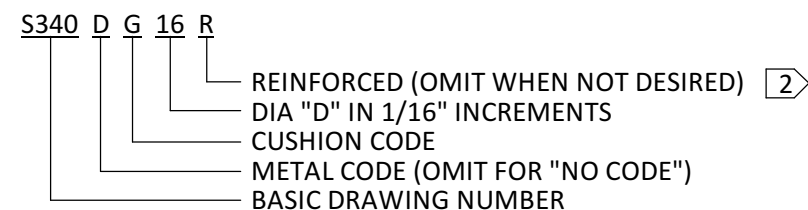


S340

REV.	CHANGE	DATE	BY	CHK'D	APPR
S	SEE DRAWING CHANGE RECORD ON FILE.	09/25/13	HAD	KWE	HAD

EXAMPLE OF PART CALLOUT:

1" DIA. REINFORCED ALUM. CLAMP W/EPDM CUSHION



SHEET 1 OF 1

NOTES:

- 1 OPTIONAL FINISH: CADMIUM PLATE GOLD PER AMS-QQ-P-416, TY. II, CL. 2
- 2 REINFORCED CORNERS AND BEADED JOGGLE PER DS1010 WHEN SPECIFIED.
- 3) CLAMPS FURNISHED IN THE NORMAL OPEN (SPRINGBACK) CONDITION.
- 4) INSPECT PER MIL-C-8603 CLOSURE TEST.

REFERENCES:								
LIMITS ON DIMENSIONS UNLESS OTHERWISE SPECIFIED:	ANGULAR:	X	± 5°			FSCM/CAGE CODE No. 18076		
	DECIMAL:	.XX	± .03			RJE	KEL	LJS
GENERAL MACHINE FINISHES EXCEPT AS NOTED:	PROPRIETARY AND CONFIDENTIAL THE INFORMATION CONTAINED IN THIS DRAWING IS THE SOLE PROPERTY OF UMPCO, INC. ANY REPRODUCTION IN PART OR AS A WHOLE WITHOUT THE WRITTEN PERMISSION OF UMPCO, INC IS PROHIBITED.			7100 LAMPSON AVE. P.O. BOX 5158 GARDEN GROVE, CA. 92846		11/01/76	11/01/76	04/22/99
	INTERPRET GEOMETRIC TOLERANCING PER: ASME-Y14.5M					DRAWN	CHECKED	ENGR
REMOVE ALL BURRS AND BREAK SHARP EDGES .010 MAX	ACT. WGHT.	-		CLAMP, LOOP-CUSHIONED PART AND/OR ASSEMBLY DESCRIPTION		SCALE: NONE		
	CALC. WGHT.	-				B S340		
								PRINT NUMBER

1

2

3

4

5

6

7

8